

## MTP® MicroCable Fan-Out Assembly

12 to 144 fibre MTP® to LC or SC fan-out assemblies designed and manufactured for the interconnection of MTP® cassettes and panels with active equipment ports. They are manufactured using a compact ruggedized micro cable and they are an ideal solution for high density applications with high demands for advanced cable management and optimized airflow.

---

## Features

- 12 fibre MTP® connector in male or female version
- Available with OS1/2, OM3, OM4 fibres – OM1/OM2 available upon request
- 12 x Cores single jacket Micro Cable 3mm OD Patch/ double jacket Micro Cable 4.5mm OD Trunk version
- Multisubunit 24, 48, 72, 96, 144 cores Micro Cable versions are available
- Available with LSZH, OFNP or OFNR jacket
- Available with LC or SC tails
- 100% factory terminated and tested
- Low loss performance using MTP® elite and high quality LC ord SC connectors
- Ideal for high density applications
- Saves installation and reconfiguration time

---

## Applications

- Data Centers
- Storage Area Network - Fibre Channel

## Specifications

ELEMENT	CHARACTERISTIC
Fibre	OS1/OS2, G.657A1, OM3, OM4
Tail Dimensions	2mm Simplex Tails Fanout, 2mm Duplex Tails Fanout
MTP Connectors	MTP® 12 Fibre Ferrules US Conec, <b>Boot Colour:</b> Black, <b>Body Sleeve Colour:</b> MM (Beige), MM Elite (Aqua), SM (Green), SM Elite (Yellow)
Other Terminations	LC, SC, LC/APC, SC/APC
Cable Diameter	12 Core Trunk Double Jacket OD MAX: 4.5 ± 0.3mm, 24 Core OD MAX: 4.5 ± 0.3mm, 48 cores OD MAX: 9.7 ± 0.3mm
Crush Resistance	1000N/100mm
Cable Tensile Strength	Up to 24 Core (Short/Long) 400N/160N, Up to 48 Core (Short/Long) 1000N/300N
Cable Strength Member	Aramid
Storage Temperature	-20 ~ +60°C
Installation Temperature	-5 ~ +50°C
Operating Temperature	-20 ~ +60°C

## Connector Performance

CONNECTOR MATING	IL AVERAGE	IL MAX	RETURN LOSS
MTP® Elite (MM)	0.10dB	0.35dB	N/A
MTP® (MM)	0.20dB	0.60dB	N/A
MTP® Elite (SM)	0.10dB	0.35dB	>60dB
MTP® (SM)	0.25dB	0.75dB	>60dB

OPTICAL PERFORMANCE*	MM PREMIUM	MM STANDARD	SM PREMIUM	SM STANDARD	CONFORMANCE
IL Max/Master (Acceptance)	0.15dB	0.25dB	0.15dB	0.25dB	IEC 61300-3-4
Ave/Master	0.08dB	0.15dB	0.12dB	0.18dB	IEC 61300-3-4
Ave/Random	0.10dB	0.20dB	0.12dB	0.18dB	IEC61300-3-34
RL (Min Acceptance)	NA	NA	55/65**	55/65**	IEC61300-3-6

\* Connector Performance table does not refer to E2A terminations \*\* UPC/APC

## Cable Performance

FIBRETYPE (ISO/IEC 11801)	OS1/OS2	OM1	OM2	OM3	OM4
Attenuation Coefficient [dB/km]	$\leq 0.38$ Max (1300nm) $\leq 0.25$ Max (1300nm) $\leq 0.34$ Typ (1550nm) $\leq 0.19$ Typ (1550nm)	$\leq 3.5$ Max (850nm) $\leq 1.5$ Max (1300nm) $\leq 2.9$ Typ (850nm) $\leq 1.2$ Typ (1300nm)	$\leq 3.5$ Max (850nm) $\leq 1.5$ Max (1300nm) $\leq 2.7$ Typ (850nm) $\leq 0.9$ Typ (1300nm)	$\leq 3.5$ Max (850nm) $\leq 1.5$ Max (1300nm) $\leq 2.7$ Typ (850nm) $\leq 0.9$ Typ (1300nm)	$\leq 3.5$ Max (850nm) $\leq 1.5$ Max (1300nm) $\leq 2.7$ Typ (850nm) $\leq 0.9$ Typ (1300nm)
Minimum Bandwidth: Overfilled Launch [Mhz-km]	N/A	$\geq 200$ (850nm) $\geq 500$ (1300nm)	$\geq 500$ (850nm) $\geq 500$ (1300nm)	$\geq 1500$ (850nm) $\geq 500$ (1300nm)	$\geq 3500$ (850nm) $\geq 500$ (1300nm)
Minimum Bandwidth: Laser Effective Modal Bandwidth [Mhz-km]	N/A	N/A	N/A	$\geq 2000$ (850nm)	$\geq 4700$ (850nm)

## Standards Compliance

- TIA/EIA-568-C.3 and ISO/IEC 11801
- IEC-61754-7 & EIA/TIA-604-5
- NFPA 262 or IEC 60332
- IEC-61754-20 & IEC-61754-14
- Compliant to Directive 2002/95/EC (RoHS) & REACH SvHC
- IEC-60793

## Ordering Information

	Connector A		Connector B		Fibre Type		Fibre Count		Length		Extra Options	
	Part No.	Connector	Part No.	Connector	Part No.	Connector	Part No.	Connector	Part No.	Connector	Part No.	Connector
OTMF	20	MTP® Male	00	LC	9	G.652D	12	12	01	1m	-	LSZH
	22	MTP® Female	01	LCA	3	OM3	24	24	05	5m	P	OFNP
	24	MTP® Male Elite	02	SC	4	OM4	48	48	10	10m		
	26	MTP® Female Elite	03	SCA	A1	G.657A1	72	72	...	....		
							96	96	xx	Specify		
							144	144				

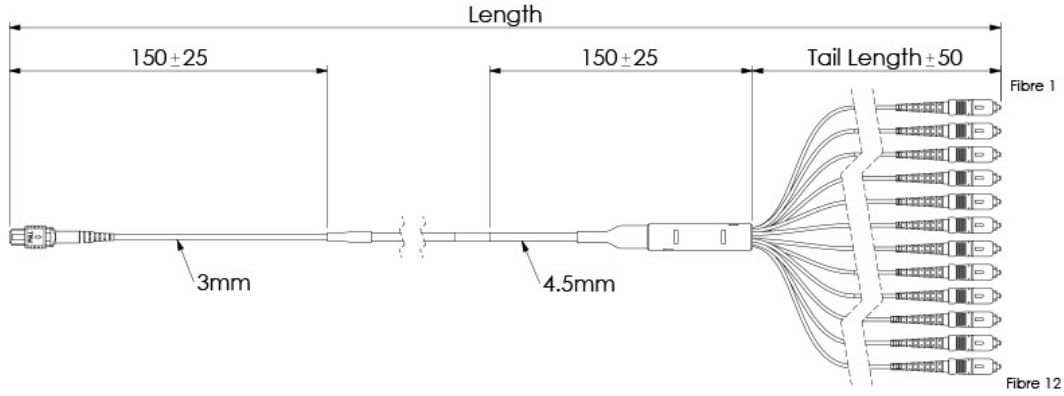
### Example Part Number

OTMF	-	20	00	3	12	-	70
------	---	----	----	---	----	---	----

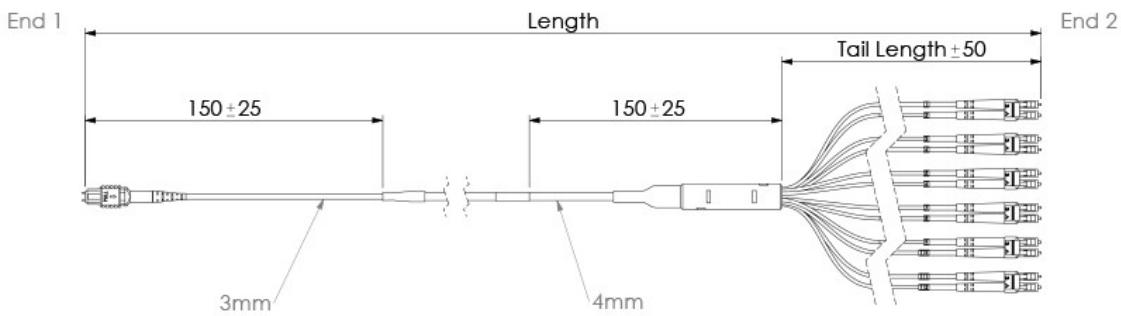
MTP® male to 12 LC/UPC fanout 1 trunk OM3 70m

## Technical Drawing

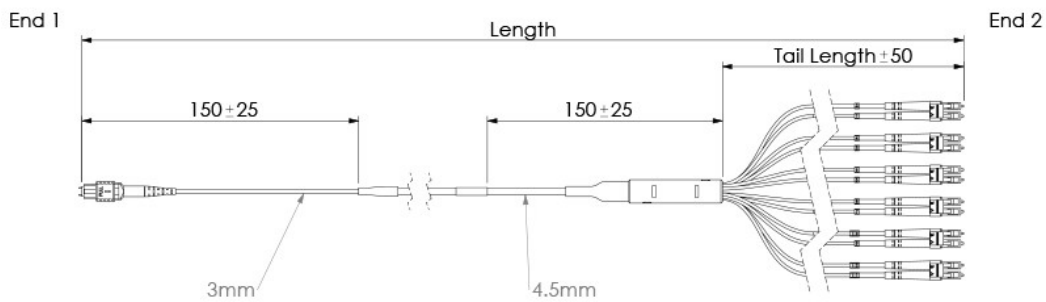
MicroCable MTP Fanout 4.5mm OD Trunk Double Jacket Simplex Tails



MicroCable MTP Fanout 4.5mm OD Trunk Double Jacket Duplex Tails 1 to B



MicroCable MTP Fanout 4.5mm OD Trunk Double Jacket Duplex Tails 1 to A



MTP® is a registered trademark of US Conec Ltd