

MTP®/MPO (40G QSFP+) to 4 x Duplex LC (4x10G SFP+) Assemblies

40G ruggedised MTP®/MPO (QSFP+) to 4 x 10G duplex LC (SFP+) fanout assemblies, designed and manufactured for use with 40G parallel optics transceivers (40GBASE-SR4). The existing parallel transceivers use 8 out of the 12 MTP®/MPO fibres, transmitting to 4 duplex LC terminated fibres.

Features

- Low loss performance using premium connectors and high quality cable
- Compact breakout module
- Available with OM3, OM4, OM5, OS1/2, fibres
- Available with LSZH, OFNP, OFNR cable jacket types
- Female MTP®/MPO connectors for direct connection into QSFP+ transceiver
- 100 % Factory terminated and tested
- Saves installation and reconfiguration time
- 4 x 2mm Tails Uniboot duplex version option for improved cable management
- Option for 3mm OD Patch/ 4.5mm OD Trunk Micro Cables
- Reliability 100% tested - combination of high quality components and manufacturing quality control guarantees product to the highest standards

Applications

- 40GBASE-SR4 to 4x10GBASE-SR
- Data Centers
- Parallel Optics applications
- Storage Area Networks (SAN)

Specifications

ELEMENT	CHARACTERISTIC
Fibre	OM ₃ , OM ₄ , OM ₅ , OS ₁ /OS ₂ (G.652D, G.657A ₁ , G.657A ₂)
Cable	MicroCable- 8 cores MAX OD : Max OD 8 cores Trunk Double Jacket 4.2 ± 0.3mm Max OD 8 cores Patch Single Jacket 2.95 ± 0.1mm Jacket Material : LSZH, OFNP, OFNR Jacket Colour : Aqua (OM ₃ , OM ₄), Erica Violet (OM ₄), Lime Green (OM ₅), Yellow (OS ₁ /OS ₂ - G.652D, G.657A ₁)
Connectors	MTP® US Conec 12Fibre Ferrule Body Sleeve Colour : MM (Beige), MM Elite (Aqua), SM (Green), SM Elite (Yellow), Lime Green (OM ₅) Boot Colour : Black LC (DX), LC (DX) Uniboot Housing Colour : Beige (MM Standard), AQUA (MM Low Loss Premium), Blue (SM), Green (SM/APC), Lime Green (OM ₅)
Storage Temperature	-20 ~ +70°C
Installation Temperature	0 ~ +50°C
Operation Temperature	-20 ~ +70°C

Connector Performance

CONNECTOR MATING	IL AVERAGE	IL MAX	RETURN LOSS
MTP® Elite (MM)	0.10dB	0.35dB	N/A
MTP® (MM)	0.20dB	0.60dB	N/A
MTP® ELITE (SM)	0.10dB	0.35dB	N/A
LC, SC (MM)	0.15dB**	0.30dB**	N/A
LC, SC Premium (MM)	0.08dB**	0.15dB**	N/A
MTP® Low Loss Elite (SM)	0.10dB	0.35dB	>60dB
MTP® (SM)	0.25dB	0.75dB	>60dB
LC, SC (SM)	0.18dB**	0.30dB**	>55/65dB*
LC, SC Low Loss Premium (SM)	0.12dB**	0.15dB**	>55/65dB*

* UPC/APC ** Tested as per IEC 61300-3-4 Cable Performance

Cable Performance

Fibre Type (ISO/IEC 11801)	OS ₁ /OS ₂	OM ₁	OM ₂	OM ₃	OM ₄	OM ₅
Attenuation Coefficient (dB/km)	≤ 0.50 Max (1310nm) ≤ 0.40 Max (1550nm) ≤ 0.36 Typ (1310nm) ≤ 0.22 Typ (1550nm)	≤ 3.5 Max (850nm) ≤ 1.5 Max (1300nm) ≤ 3.0 Typ (850nm) ≤ 1.0 Typ (1300nm)	≤ 3.5 Max (850nm) ≤ 1.5 Max (1300nm) ≤ 3.0 Typ (850nm) ≤ 1.0 Typ (1300nm)	≤ 3.5 Max (850nm) ≤ 1.5 Max (1300nm) ≤ 3.0 Typ (850nm) ≤ 1.0 Typ (1300nm)	≤ 3.5 Max (850nm) ≤ 1.5 Max (1300nm) ≤ 3.0 Typ (850nm) ≤ 1.0 Typ (1300nm)	≤ 3.5 Max (850nm) ≤ 1.5 Max (1300nm) ≤ 3.0 Typ (850nm) ≤ 1.0 Typ (1300nm)
Minimum Bandwidth: Overfilled Launch (Mhz-km)	N/A	≥ 200 (850nm) ≥ 500 (1300nm)	≥ 500 (850nm) ≥ 500 (1300nm)	≥ 1500 (850nm) ≥ 500 (1300nm)	≥ 3500 (850nm) ≥ 500 (1300nm)	≥ 3500 (850nm) ≥ 1850 (953nm) ≥ 500 (1300nm)
Minimum Bandwidth: Laser Effective Modal Bandwidth (Mhz-km)	N/A	N/A	N/A	≥ 2000 (850nm)	≥ 4700 (850nm)	≥ 4700 (850nm) ≥ 2470 (953nm)

Standards Compliance

- TIA/EIA-568-C.3 and ISO/IEC 11801
- IEC-61754-7 & EIA/TIA-604-5
- NFPA 262 or IEC 60332
- IEC-61754-20 & IEC-61754-14
- Compliant to Directive 2002/95/EC (RoHS) & REACH SvHC
- IEC-60793

Ordering Information

	Connector A		Connector B		Fibre Type		Cable Type		Assembly Type		Configuration		Extra Options	
OTQ	20	MTP® Male	00	LC	9	G.652.D	1	3mm Single Jacket Patch MicroCable	F	Fanout Design	81	8 Fibres 1m Length	-	LSZH
	22	MTP® Female	U0	LC Uniboot	A1	G.657A1	2	4.5mm Double Jacket Trunk MicroCable	S	Stagger Design			NR	OFNR
	24	MTP® Male Elite	01	LC/APC	A2	G.657A2							NP	OFNP
	26	MTP® Female Elite	U1	LC/APC Uniboot	3	OM3							P	Premium
	32	MTP® Male 24F			4	OM4								
	34	MTP® Female 24F			5	OM5								
	28	MTP® Male 24F Elite												
	30	MTP® Female 24F Elite												
	21	MPO Male												
	23	MPO Female												
	25	MPO Male Elite												
	27	MPO Female Elite												
	33	MPO Male 24F												
	35	MPO Female 24F												
	29	MPO Male 24F Elite												
31	MPO Female 24F Elite													

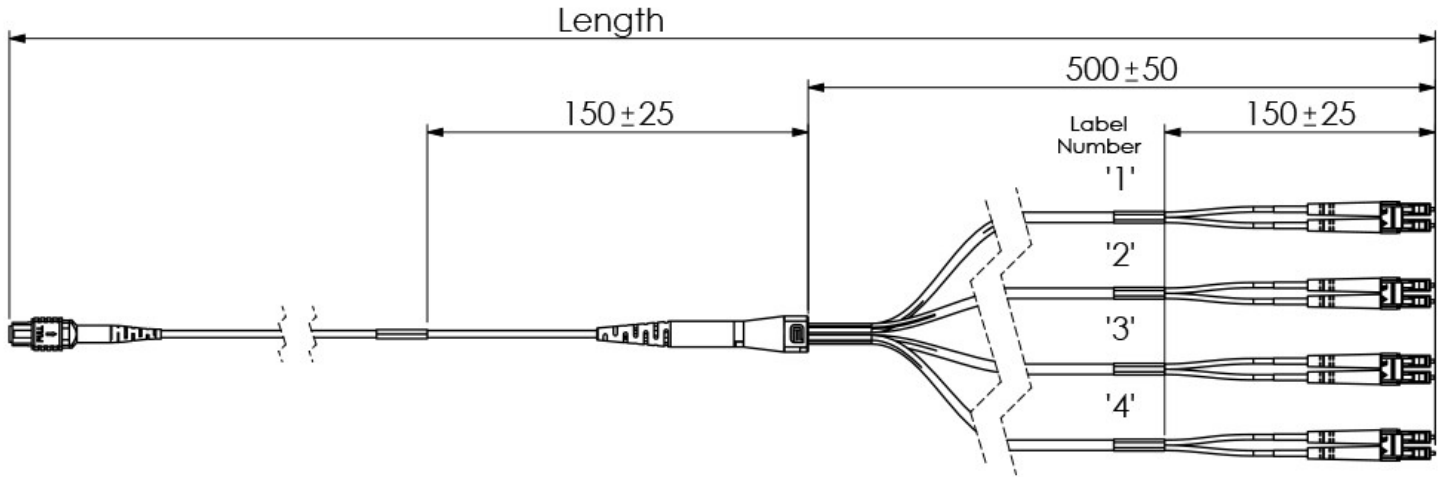
Example Part Number

OTQ	-	22	U0	-	4	1	F	81
-----	---	----	----	---	---	---	---	----

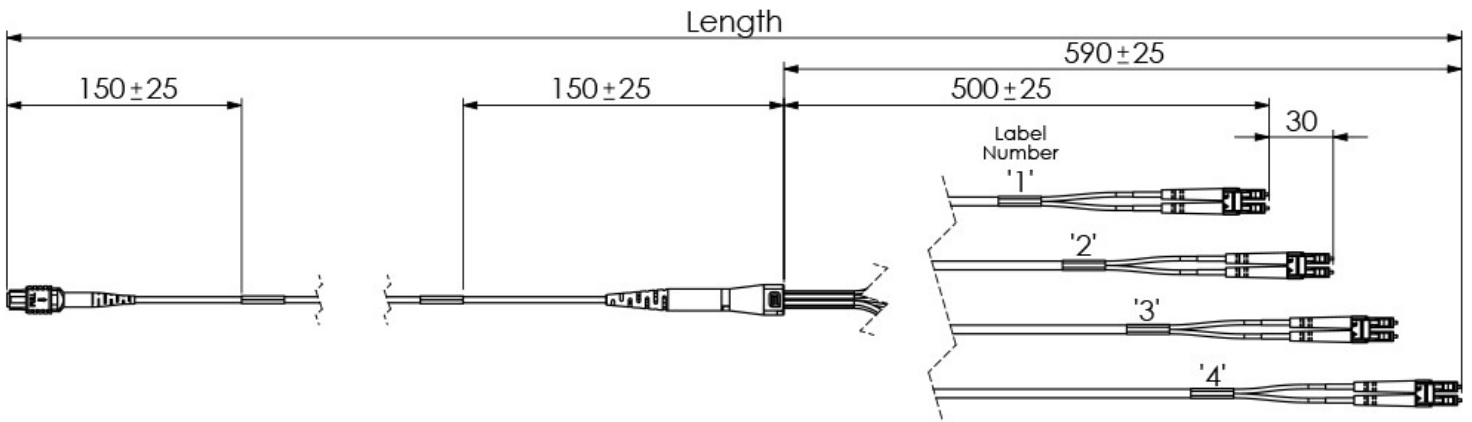
Assembly 8 Fibres MTP® female to LC/UPC Uniboot OM4 3mm Patch MicroCable LSZH Fanout design 1m

Technical Drawing

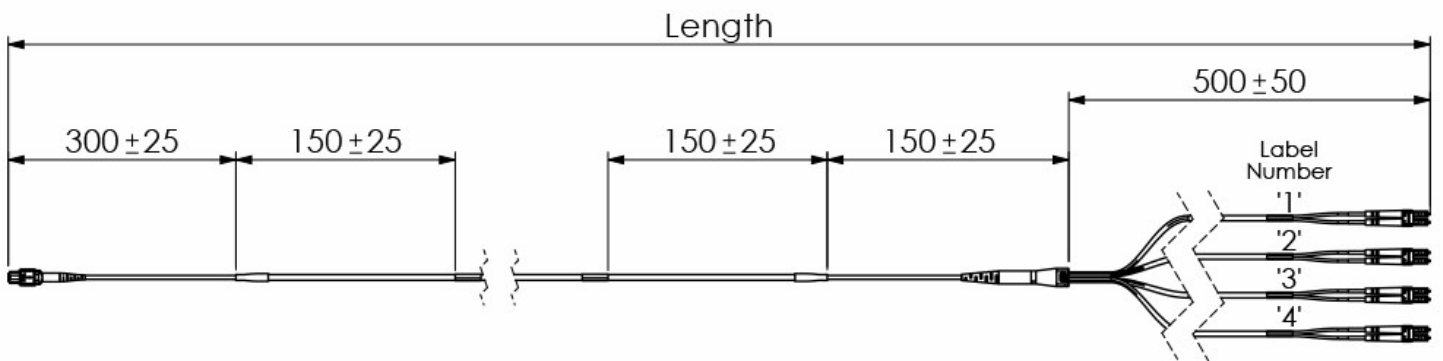
QSFP+ to SFP+ MTP®/MPO to LC (DX) Patch 3mm OD Fanout

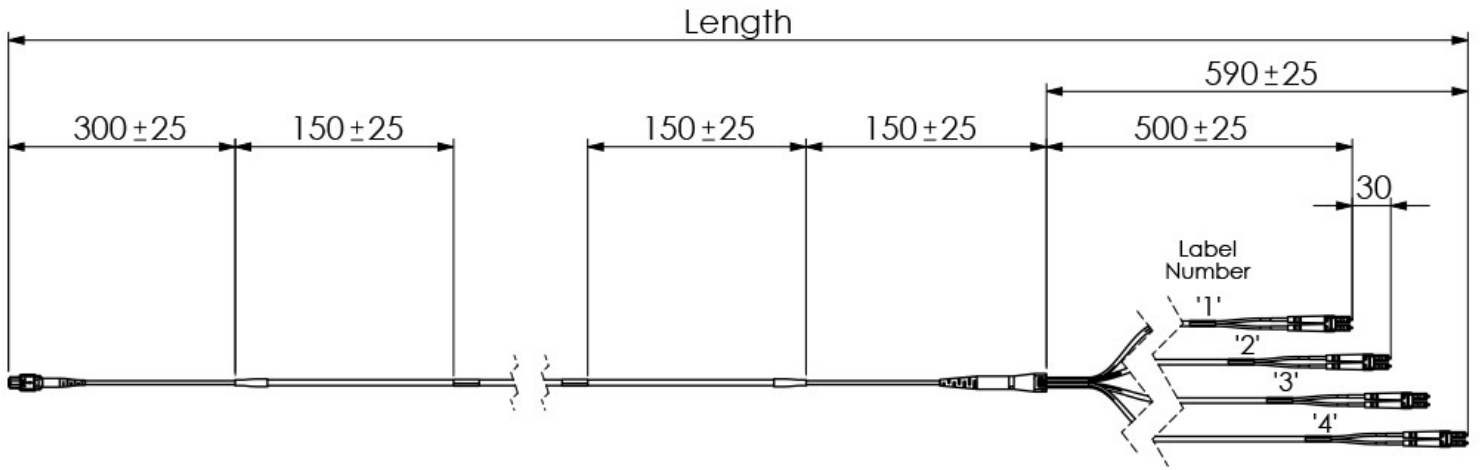


QSFP+ to SFP+ MTP®/MPO to LC (DX) Patch 3mm OD Stagger

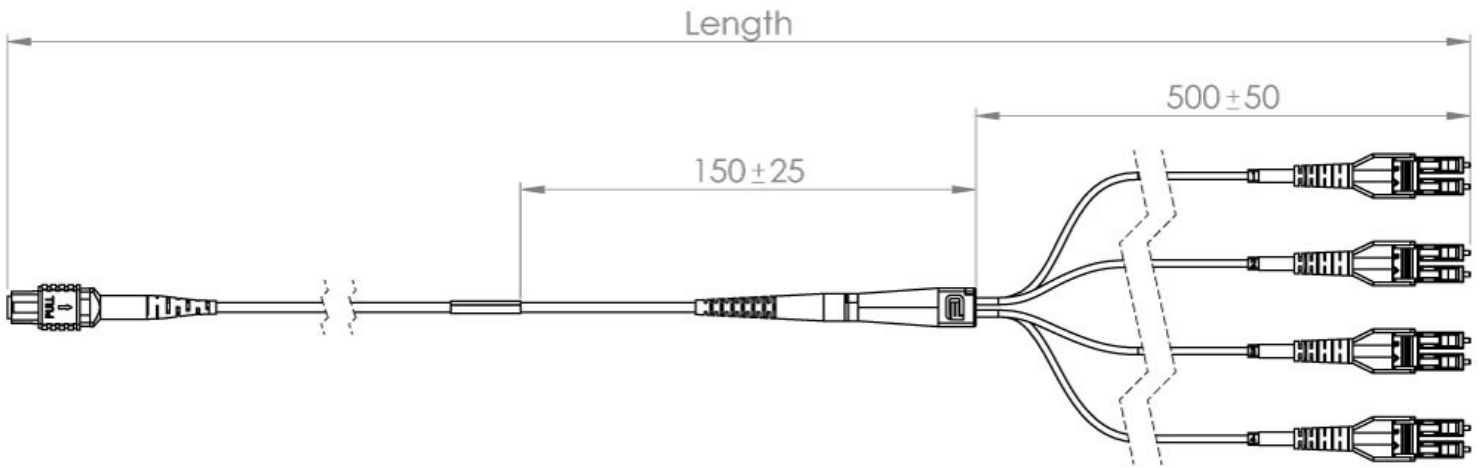


QSFP+ to SFP+ MTP®/MPO to LC (DX) Trunk 4.5mm OD Fanout

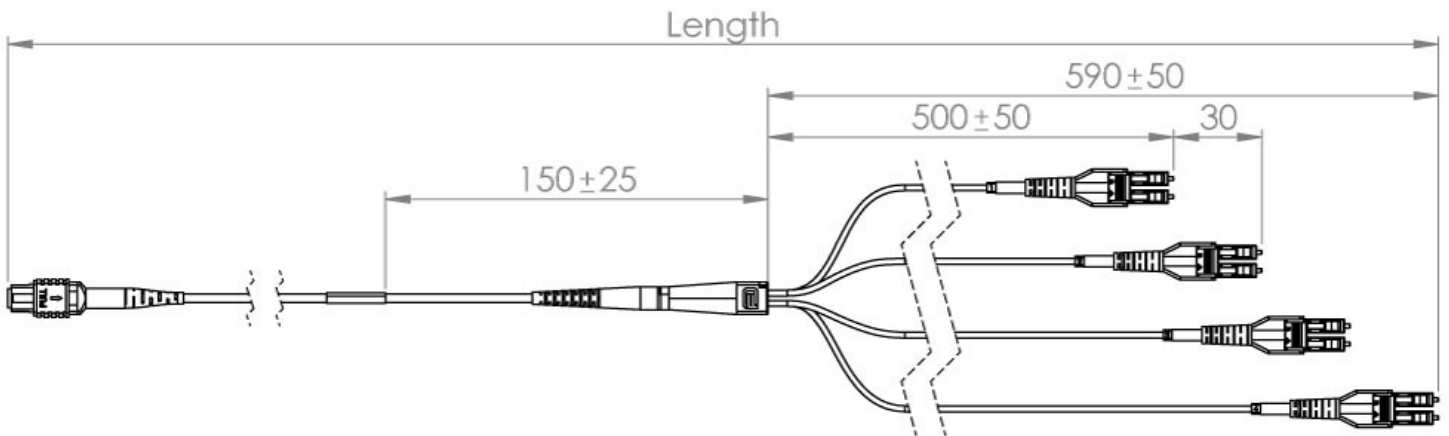




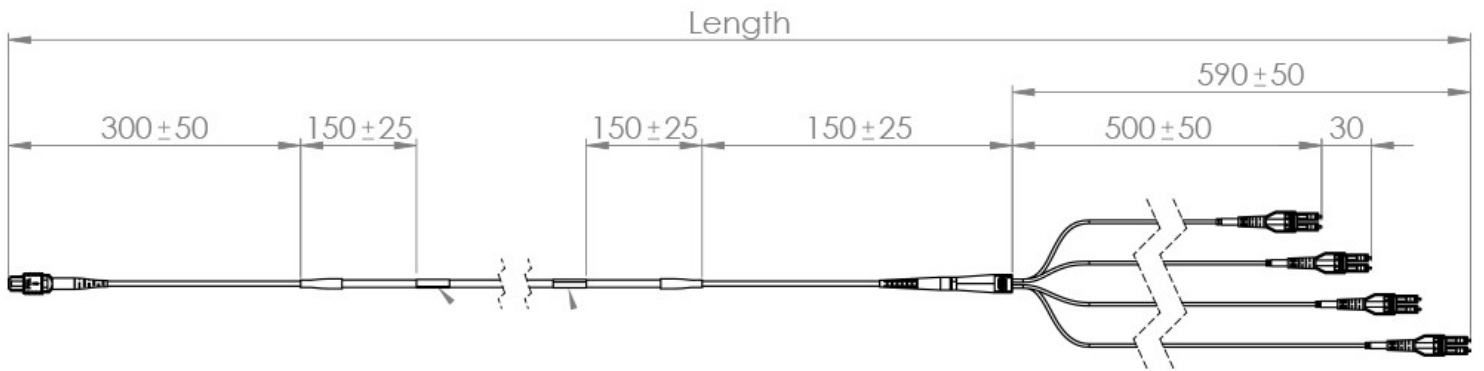
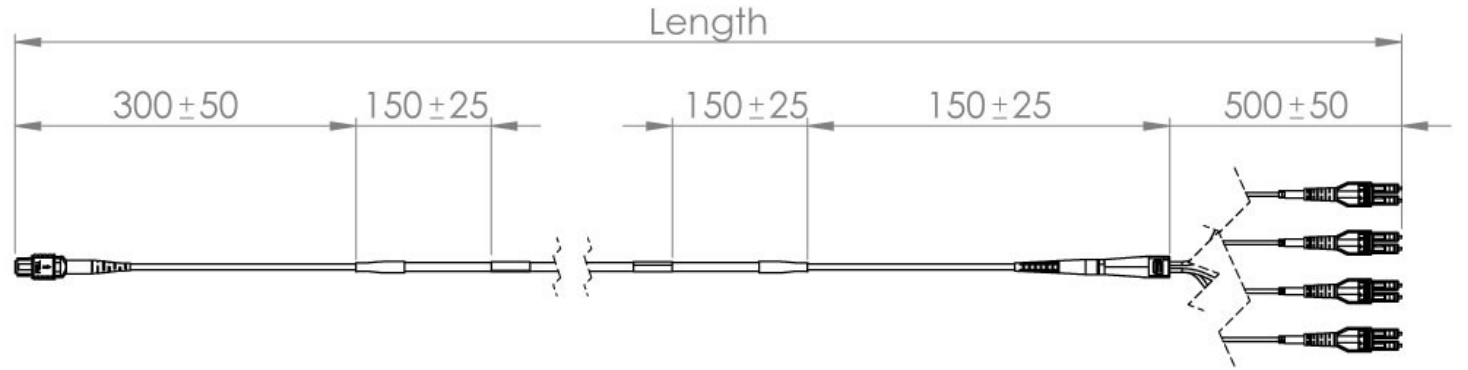
QSFP+ to SFP+ MTP®/MPO to LC (UNI) Patch 3mm OD Fanout



QSFP+ to SFP+ MTP®/MPO to LC (UNI) Patch 3mm OD Stagger



QSFP+ to SFP+ MTP®/MPO to LC (UNI) Trunk 4.5mm OD Fanout



MTP® is a registered trademark of US Conec Ltd.