

TB4 24 Fibre Lockable Indoor FTTH Termination Box

A robust ABS IP22 termination box designed to house and manage up to 16 terminated fibres with LC, SC. It has an internal detachable tray with bend radius protection and integrated cable tie points. This box has a special design on the bottom to allow up to 24 cable exit points and 2 cable entry. Replacing the splice tray with a splitter module, it can accommodate up to 1 x 16 or 2 x 8 PLC splitters.

Features

- Up to 24 fibres
- Available with LC, SC adaptors
- Compatible with 1x8, and 1x16, PLC splitters using an alternative splitter module
- Wall mounted
- IP22 rated for indoor use
- Lockable door for enhanced security
- Detachable tray with integrated bend radius control
- Integrated cable tie points for securing incoming cable
- Supplied with transit tubing, wall fixings, tie wraps, splice protectors
- ROHS, REACH and SvHC compliant

Applications

- FTTH
- Indoor applications
- Telecommunication networks
- CATV
- Data communication networks
- Ethernet, Fibre Channel, ATM, LAN, MAN and WAN

Specifications

ELEMENT	VALUE
Height	256.5mm
Width	192mm
Depth	53.2mm
Suitable for Adaptor Type	LC Duplex, SC Simplex,
Number of ports	24
Cable Entry	2
Cable Exit	24
Material	ABS
Operating Temperature	-40°C to +60°C
Designed in accordance with	TIA/EIA 568.C, ISO/IEC 11801, EN50173, IEC60304, IEC61754
Compliant to	RoHS, Reach/SVHC

Ordering Information

	Adaptor		Fibre Type		Configuration		Adaptor Count		Extra Options	
	Code	Type	Count	Type	Count	Type	Count	Count	Code	Description
OTB4	00	LC	9	Singlemode	1	Simplex	24	24	S	Equipped with splitter module
	01	LCA	2	Multimode (OM1/OM2)	2	Duplex (Only for LC)				
	02	SC	3	OM3						
	03	SCA	4	OM4						

Example order code

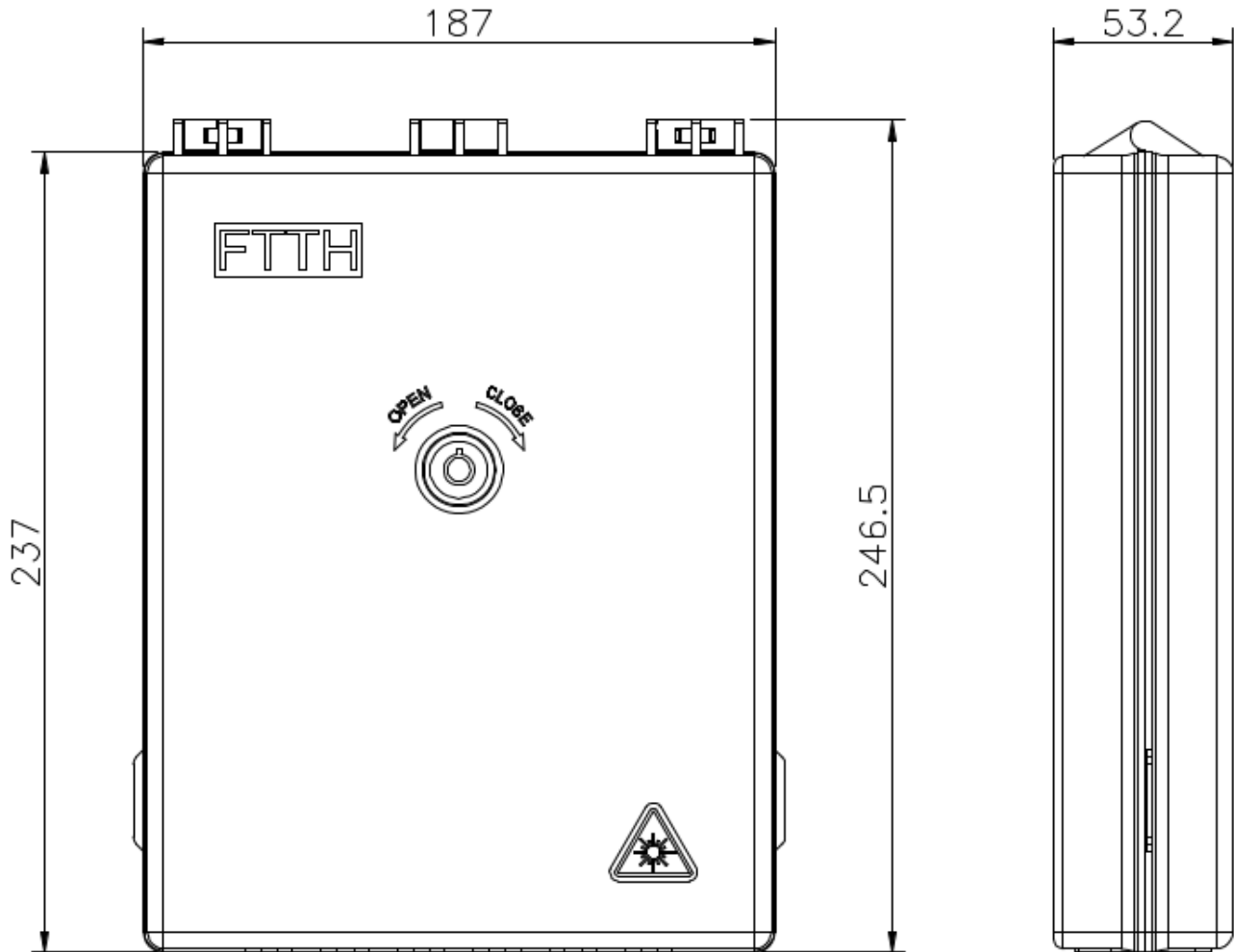
OTB4 - 03 - 91 - 24

TB4 Indoor Termination Box Loaded With 24 SC/APC Simplex Adaptors

OTB4 - XX - XX - UL

TB4 Indoor Termination Box Unloaded

Technical Drawing



Additional Images

