

HDCi® LX3 High Density 3U Patch Panel

An innovative 3U, 19" rack mountable patch panel, designed for use in high density applications. It offers management of up to 432 fibres using MPO/MTP® optical cassette modules with 24 fibres each and it's fully compatible with a variety of alternative HDCi® module options. This panel allows advanced cable management, providing an enhanced cable routing exiting the panel to the left or right and allowing cable assemblies to be routed up and across the front of the panel.

The MLX3 HDCi® MPO/MTP® modules which are compatible with LX3 panel are designed for the transition between MPO/MTP® and standard LC connectors. They have a small form factor design and LX3 panel can house up to 18 MLX3 modules in 1U height. They come with 6 low loss LC quad flangeless adaptors on the front and 2 MPO/MTP® on the back side. They contain 100% factory terminated and tested LC to MPO/MTP® fanouts.

The combination of LX3 panel and MLX3 cassette modules is an ideal solution for high density applications. Their plug and play design meets all requirements for rapid deployment in high demand data centre environments.

Features

- 3U height
- 19" rack mountable
- Metal construction
- Can house up to 18 MLX3 modules allowing management for up to 432 fibres
- Compatible with multiple HDCi® module options (MPO/MTP®, adaptors, etc.)
- Saves installation and reconfiguration time
- MLX3 MPO/MTP® cassette modules are 100% factory terminated and tested offering low loss performance

Applications

- Data centres
- High density applications
- Telecommunication networks
- Enterprise Networks
- Central Offices

Specifications

Patch Panel Specification

ELEMENT	VALUE
Depth (mm)	420mm
Width (mm)	437mm
Height (mm)	132.5mm
Rack Units	3U
Capacity	18 x HDCi® type modules

MPO/MTP® Connector Performance

CONNECTOR MATING	IL AVERAGE	IL MAX	RETURN LOSS
MPO/MTP® Elite (MM)	0.10dB	0.35dB	N/A
MPO/MTP® (MM)	0.20dB	0.60dB	N/A
MPO/MTP® Elite (SM)	0.10dB	0.35dB	>60dB
MPO/MTP® (SM)	0.25dB	0.75dB	>60dB

LC Connector Performance

OPTICAL PERFORMANCE*	MULTIMODE	SINGLEMODE	CONFORMANCE
Insertion Loss	≤0.20dB	≤0.20dB	IEC 61300-3-4
Return Loss	-	≥50dB	IEC 61300-3-4

Adaptor Performance

DESCRIPTION	CERAMIC	CONFORMANCE
Insertion Loss (Typical)	0.10dB	IEC 61300-3-4
Mating Durability	500	IEC 61300-2-2
Receptacle Retention Force	1N-2.5N	IEC 61754-20
Operating Temperature	-25°C to +70°C, 12 cycles	IEC 61300-2-22

Standards Compliance

- TIA/EIA-568-C.3 and ISO/IEC 11801 - cable
- IEC-61754-7 & EIA/TIA-604-5 - MPO/MTP®
- Compliant to Directive 2002/95/EC (RoHS) and REACH SvHC
- IEC-61754-20 (LC) & IEC-61754-14 (SC)
- IEC-60793

Ordering Information

LX3 Patch Panel

DESCRIPTION	PART NUMBER
OptronicsPlus LX3 High Density HDCi® 3U Patch Panel Unloaded	OPPLX3-XX-XX-UL-3

MLX3 MPO/MTP® Cassette Module

	Connectivity Config.		Connector A		Connector B		Fibre Type		Adaptor Configuration		Adaptor Count		Polarity	
	2	1 x 24F	0	MTP® Male	00	LC	9	G.652.D	4	Quad	6	6	A	Polarity A
OMLX3	1	2 x 12F	4	MTP® Male Elite	01	LCA	3	OM3	4	Quad	6	6	B	Polarity B
			1	MPO Male	02	SC	4	OM4	2	Duplex	8	12	C	Polarity C
			5	MPO Male Elite	03	SCA	5	OM5	2	Duplex	8	12		

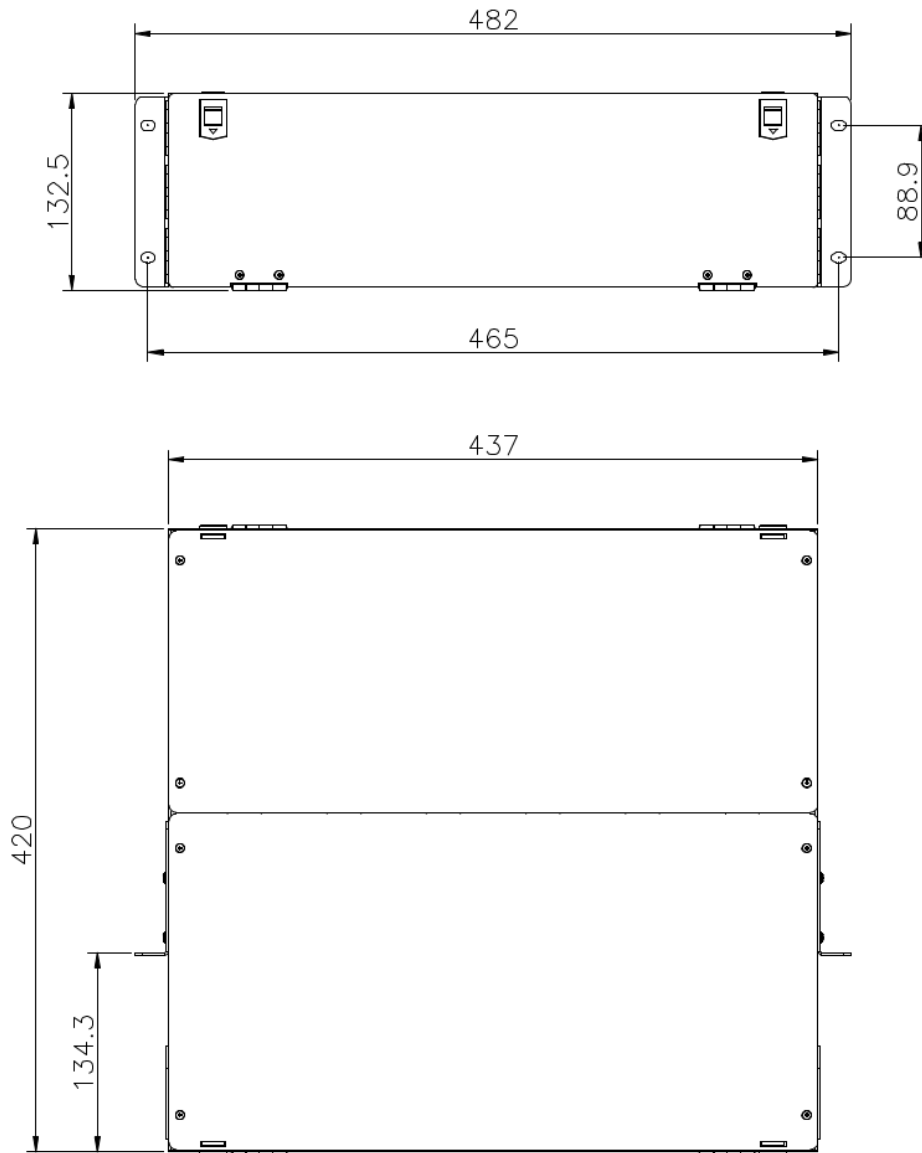
Example Part Number

OMLX3	-	2	0	00	3	46	-	A
-------	---	---	---	----	---	----	---	---

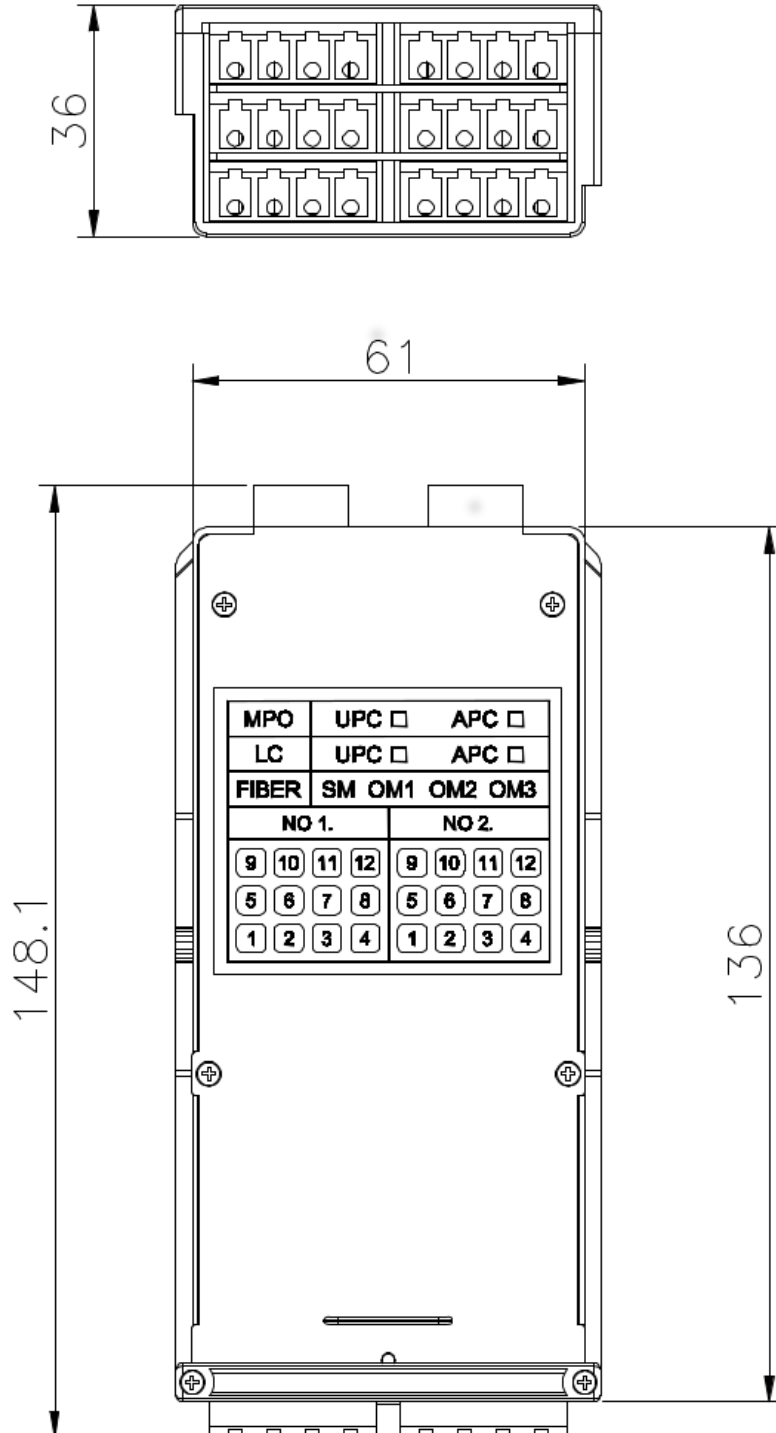
OptronicsPlus LC to 1 x MTP® 24F Male MLX3 HDCi® Cassette Module with 6 LC Quad OM3 Aqua Adaptors Polarity A

Technical Drawing

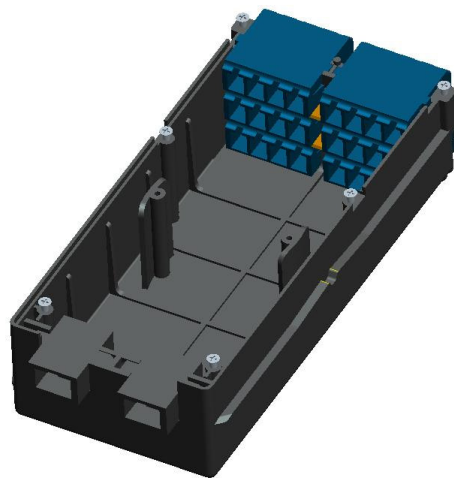
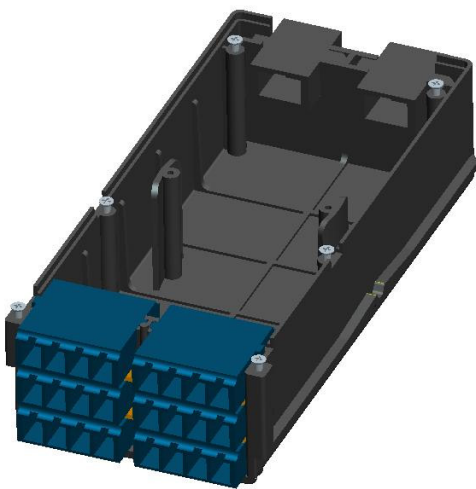
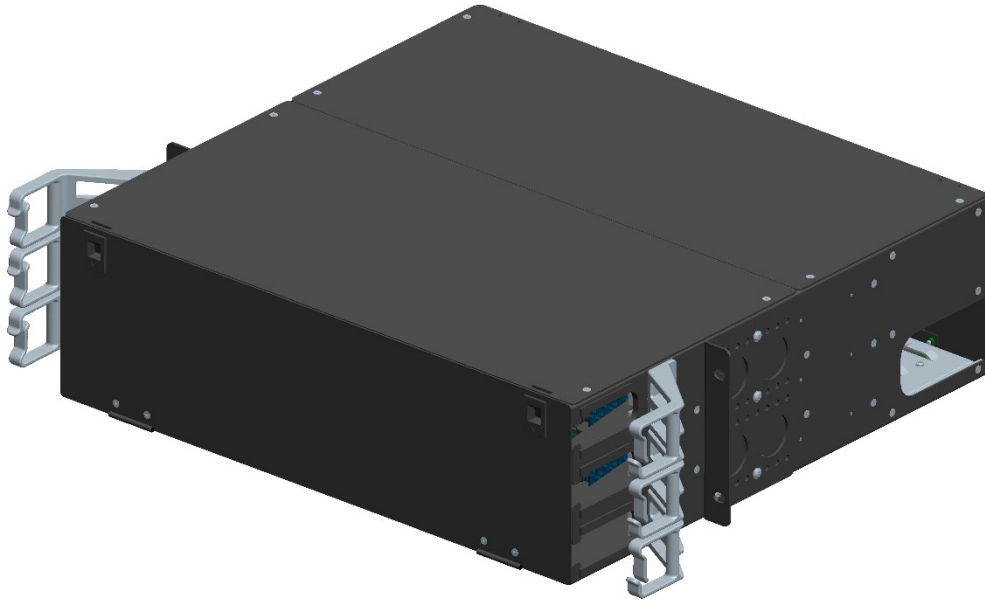
Patch panel



Cassette Module



Additional Images



MTP® is a registered trademark of US Conec Ltd.