

## DEM2 Dome Splice Enclosure

Fibre optic dome splice enclosure DEM2 protects fibre optic splice while providing fast and easy no-cost, re-entry. It can be installed on aerial, in manholes, ducts and mounted on pole. The Enclosure provides reliable sealing performance, and fibre splicing point protected in a ribbed polypropylene dome that has high mechanical and environmental features. With its seven entry ports, the enclosure is applicable to in-line or mid-span branching method. In addition, a great quantity of fibre optic cable can make an excellent environment performance.

With OptronicsPlus DEM2 Dome Splice Enclosure, you can improve your network system to the higher level.

---

## Features

- Reliable moisture-tight housing with hot-melt type sealing
- Ribbed body structure protects against impact and compression
- Efficient fiber management by splice tray holding structure
- Ease of use for closure assembly
- Easy clamping of tension member and grounding
- Great quantity of fiber optic cable can make an excellent environment performance

---

## Applications

- Outdoor applications
- Telecommunication networks
- CATV
- Data transmission
- Industry control
- Aerial, buried or pipe-lined environment

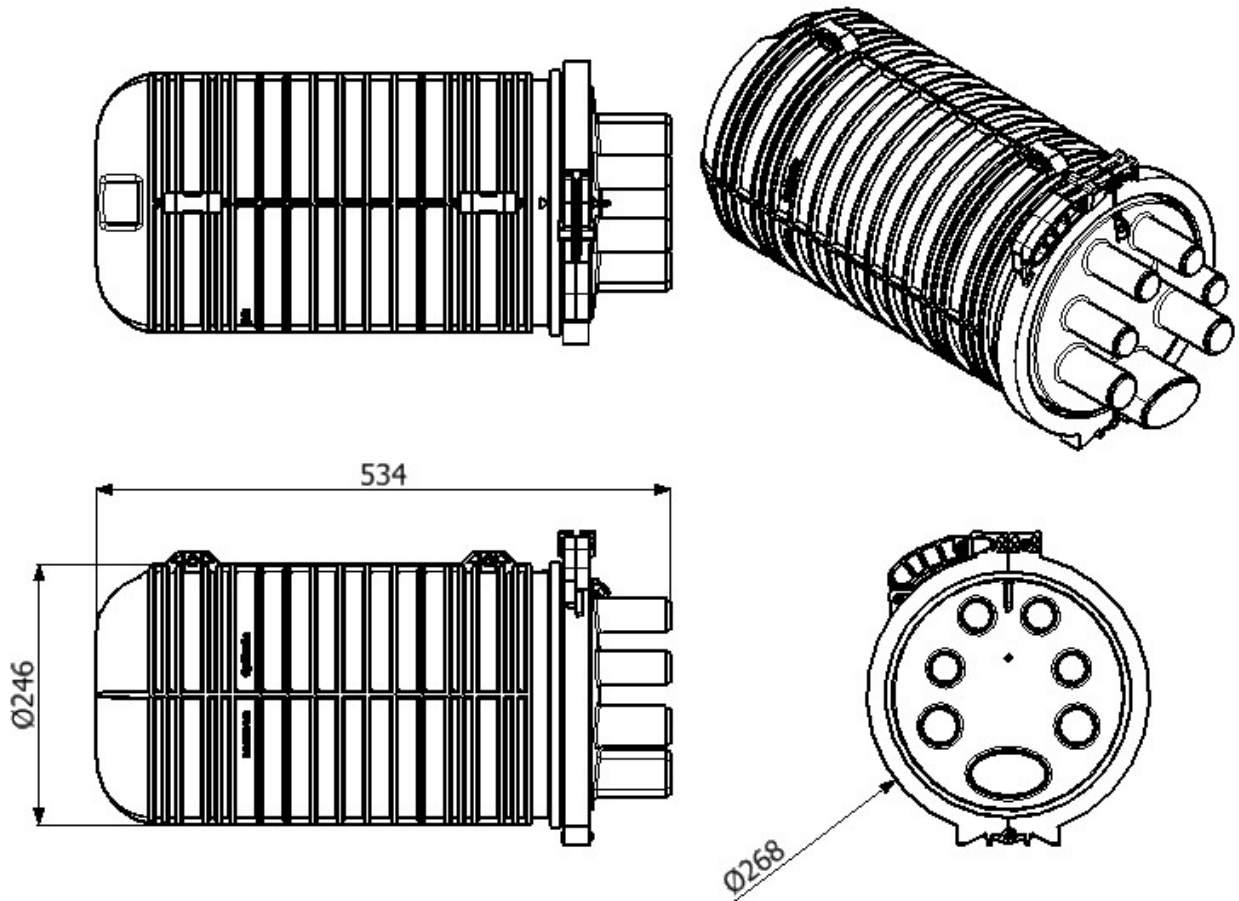
## Specifications

ELEMENT	VALUE
Size	268 x 534 mm
Weight	5.5kg
Intel port	7 (1 Oval)
Cable Diameter	Ø8 ~ Ø29 mm
No. of Splice Tray	12
Max. Capacity of Splice Tray	24C (Max.48C)
Splicing Capacity	288C (Max. 576C)
Splicing Method	Heat shrinkable sleeve, Mechanical splice
Splice Protector	H/S Sleeve
Method of Fixing cable	H/S Tube

## Ordering Information

DESCRIPTION	PART NUMBER
OptronicsPlus DEM2 Fibre Optic Dome Enclosure 144 splice	ODEM2-144
OptronicsPlus DEM2 Fibre Optic Dome Enclosure 288 splice	ODEM2-288

Technical Drawing



Tolerance =  $\pm 1.5$   
unit = mm

Additional Images

